

# Technical data sheet

Product features



## Electric range

<b>Model</b>	<b>SAP Code</b>	00014771
--------------	-----------------	----------



- Device type: Electric unit
- Power consumption of the zone 1 [kW]: 2,6
- Power consumption of the zone 2 [kW]: 2,6
- Protection of controls: IP24
- Material: AISI 304 top plate and cladding

<b>SAP Code</b>	00014771	<b>Power electric [kW]</b>	5.200
<b>Net Width [mm]</b>	400	<b>Loading</b>	400 V / 3N - 50 Hz
<b>Net Depth [mm]</b>	730	<b>Number of zones</b>	2
<b>Net Height [mm]</b>	300	<b>Power consumption of the zone 1 [kW]</b>	2,6
<b>Net Weight [kg]</b>	27.90	<b>Power consumption of the zone 2 [kW]</b>	2,6

# Technical data sheet

Technical drawing

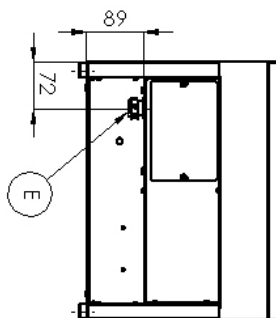
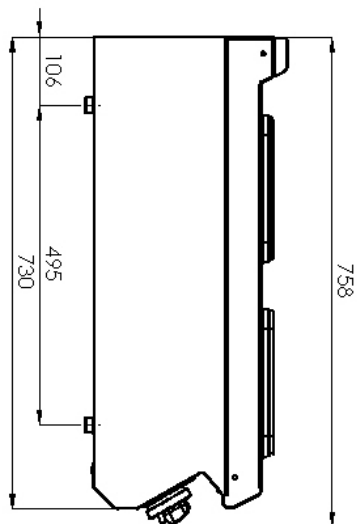
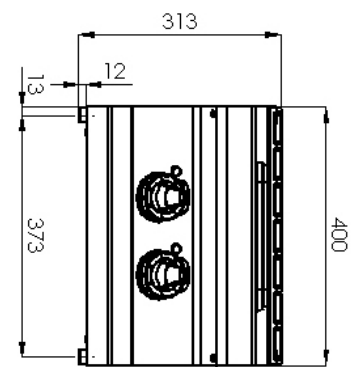


Electric range

Model

SAP Code

00014771



# Technical data sheet

Technical parameters



## Electric range

Model

SAP Code

00014771

### 1. SAP Code:

00014771

### 2. Net Width [mm]:

400

### 3. Net Depth [mm]:

730

### 4. Net Height [mm]:

300

### 5. Net Weight [kg]:

27.90

### 6. Gross Width [mm]:

440

### 7. Gross depth [mm]:

800

### 8. Gross Height [mm]:

480

### 9. Gross Weight [kg]:

32.00

### 10. Device type:

Electric unit

### 11. Construction type of device:

Table top

### 12. Power electric [kW]:

5.200

### 13. Loading:

400 V / 3N - 50 Hz

### 14. Protection of controls:

IP24

### 15. Device color:

Stainless steel

### 16. Material:

AISI 304 top plate and cladding

### 17. Indicators:

operation

### 18. Worktop type:

Molded - comfortable cleaning maintenance

### 19. Worktop material:

AISI 304

### 20. Worktop Thickness [mm]:

1.50

### 21. Number of zones:

2

### 22. Power consumption of the zone 1 [kW]:

2,6

### 23. Power consumption of the zone 2 [kW]:

2,6

### 24. Maximum device temperature [°C]:

400

### 25. Minimum device temperature [°C]:

50

### 26. Service accessibility:

Trough the frontal panel

### 27. Number of burners/hot plates:

2

### 28. Type of electric cooking zones:

Squared